

# Easyslide 40



## X-ray generator

- high frequency monoblock generator
- max power 40kW (100kV-400mA-0.1s)
- max voltage 125kV
- max current 500mA
- max 400mAs
- ripple frequency 40kHz
- ripple 1%
- monoblock thermal capacity 825kJ-1103kHU

## X-ray tube

- X-ray tube with rotating anode 3000 rpm
- focal spot 0.75-1.25mm
- anode material RTM
- anode angle 15°
- thermal capacity 224kJ-300kHU
- continuous thermal dissipation max anode 750W

## control desk

- control desk controlled by a micro-processor with touch screen display 10,4"

## operating modalities

- 2-point technique (kV and mAs)
- 3-point technique (kV, mA, times)
- 198 programmed anatomical parts
- 6 different patient sizes
- collimator lamp ON/OFF switch also from touch screen display
- possibility to switch potter bucky ON/OFF
- USB output for software updating
- X-ray button with double release with extension cable up to 4 meters
- 7m power cord with spring operated cable reel (OPTIONAL)

## kV selection

- continuously from 40 to 125kV

## mA selection

- in 11 values from 50 to 500mA

## selection of exposure times

- in 32 values from 0.003 to 6.3s
- in 33 values from 0.001 to 6.3s (upon request)

## mAs selection

- in 32 values from 0.1 to 400mAs

## safety devices and guards

- protection and automatic control of filament current
- protection from over current and over voltage (kV, mA)
- protection from maximum load of X-ray tube
- operator error or malfunctioning indication

## power supply

- standard voltage 230V  $\pm$  10%, 50/60Hz, 16A max
- additional voltage 240V or 110V
- line resistance 0.4 $\Omega$

## collimator

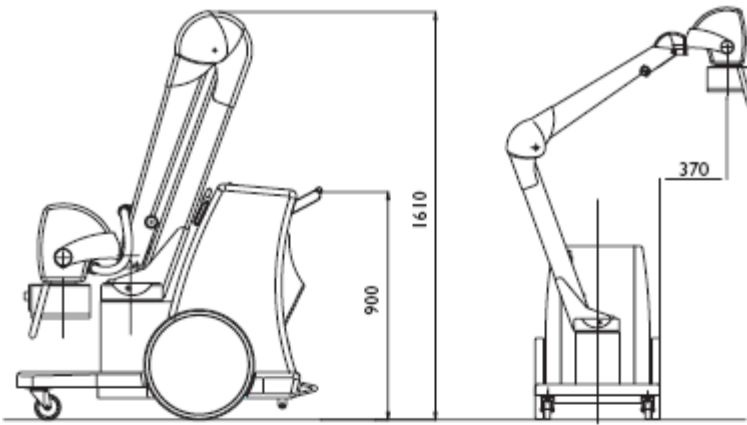
- with multiple layer blades and manual control
- variable field from 0x0 to 43x43cm to a 100 cm DFF
- high intensity halogen/LED lamp 160lux at 100cm
- ON/OFF timer of lamp at 30s
- extractible measurement tape to control DFF
- collimator rotation  $\pm$  90°

## mechanical unit

- arm rotation  $\pm$  90°
- swiveling front wheels in anti-static rubber
- big rear wheels  $\varnothing$  43,5cm
- dead-man brake system
- container for 6 X-ray cassette 35x43cm
- variable focus-floor distance 60-202cm
- rotation of monoblock supporting fork +90° / -180°
- rotation of monoblock in fork 0° / +90°
- dimensions during transportation 120x67x161h cm
- weight 215kg

## accessories upon request

- possibility of connection to a DAP (kerma measurement system for area) with relative thermal printer. DAP value visualized on 10.4" display.



Compliant with  
93 • 42 • EEC  
directive class II b  
CE 0051

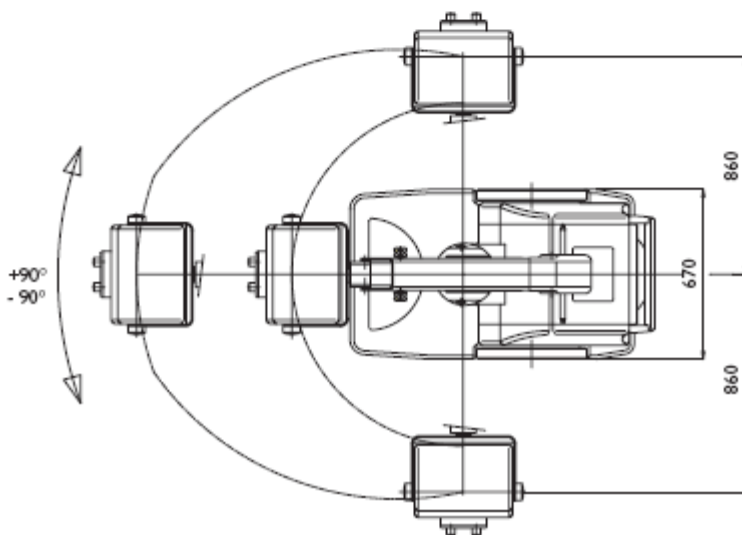
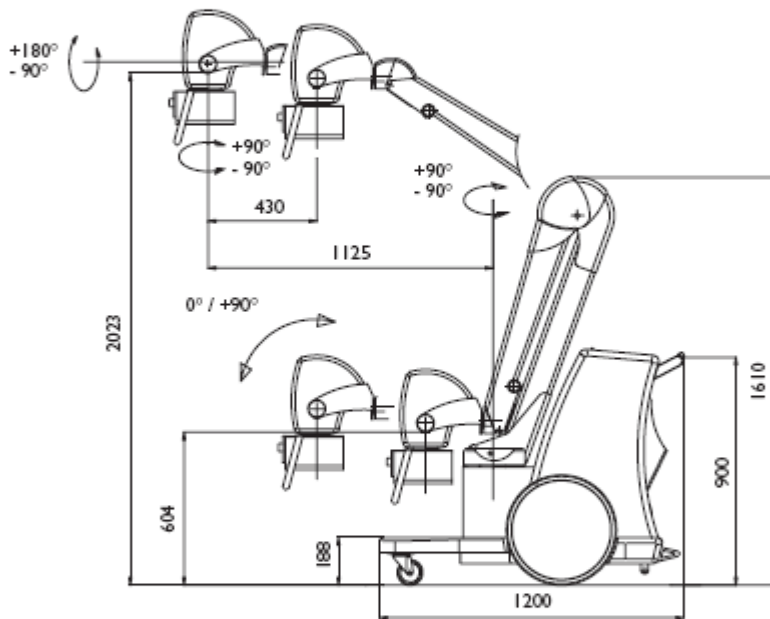


ISO 13485:2012



ISO 9001:2008

with possibility of  
modification or  
improvements



SMAM S.r.l

via Tiziano, 24 • 20835 Muggiò / Milano / Italy  
tel +39 • 039 2781554 • 2781558 • fax +39 • 039 790213  
e-mail: info@smam.it • www.smam.it